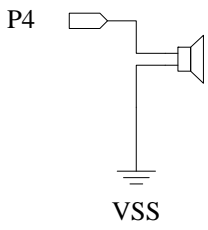
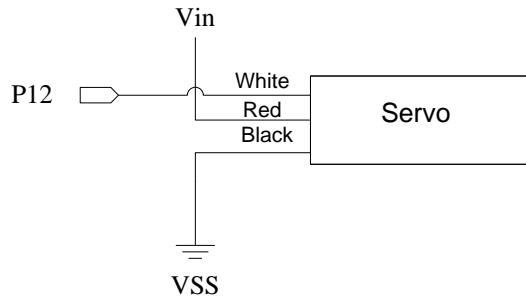


Robotic Control Using PS2 Controller: Schematics

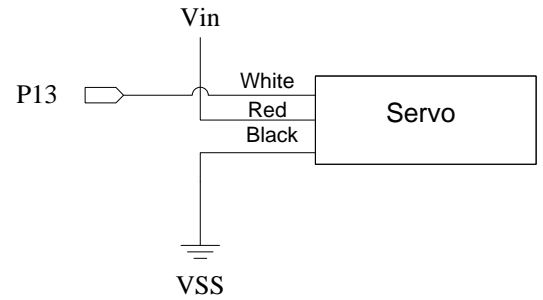
Piezospeaker



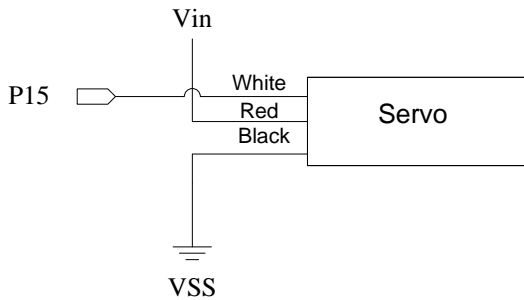
Right Wheel



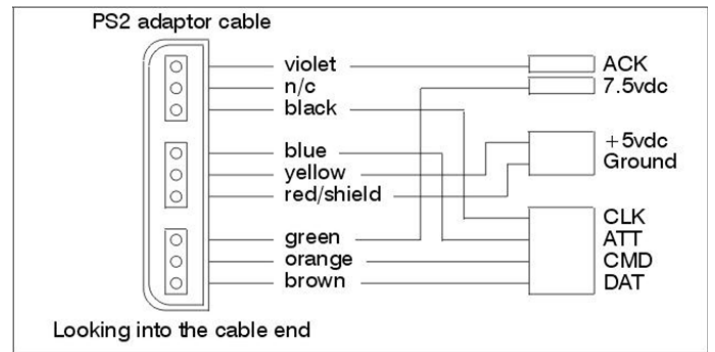
Left Wheel



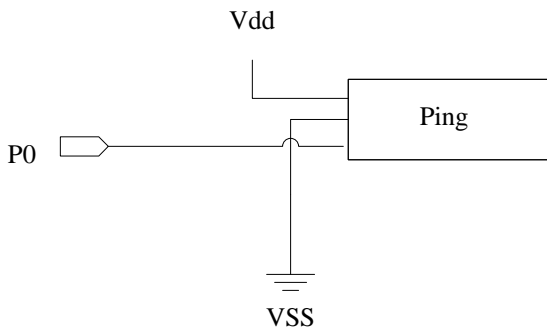
Ping Rotator Servo



Lynxmotion Controller Adapter

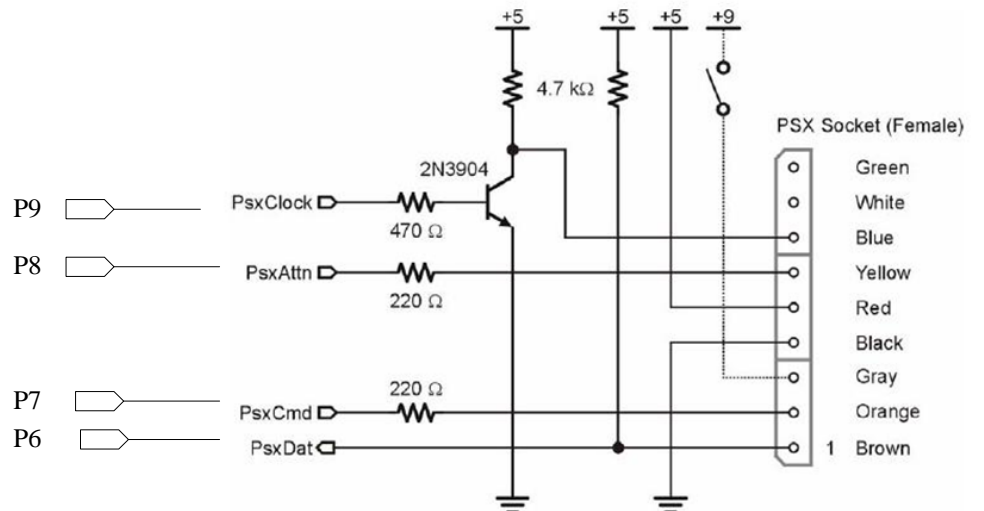


Ping Sensor



PS2 Stamp Interface

Figure 101.1: PlayStation BASIC Stamp Interface



Gripper Servo

