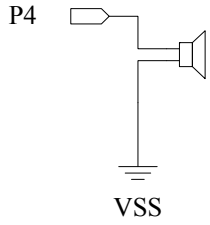
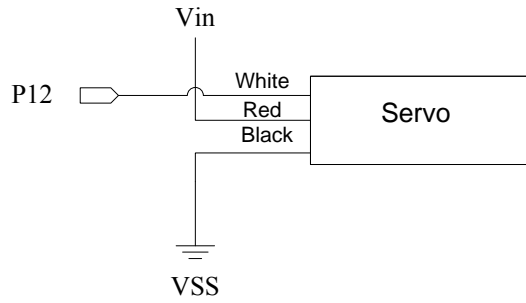


# Boe-Bot 1 Bottom Board Schematics

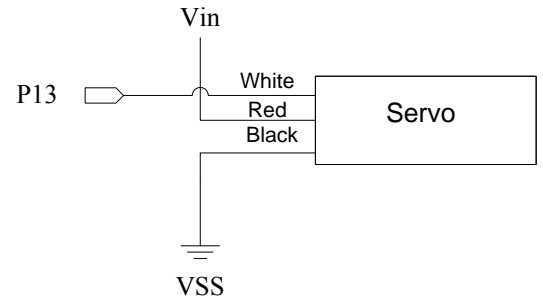
Piezospeaker



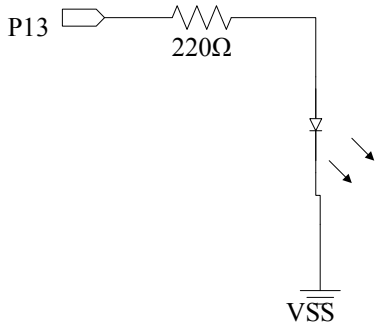
Right Wheel



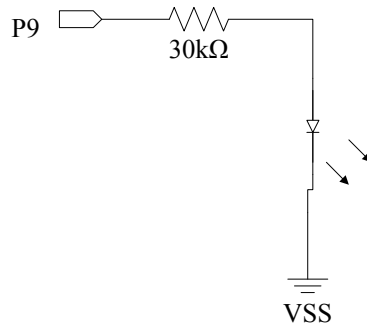
Left Wheel



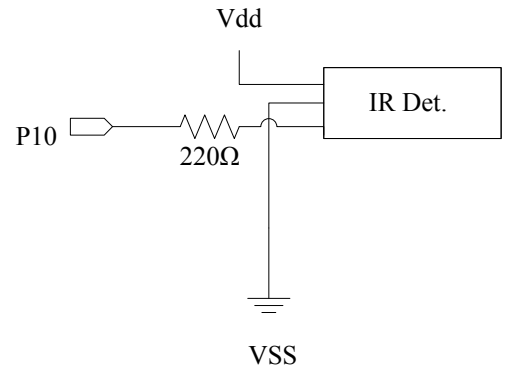
LED Left



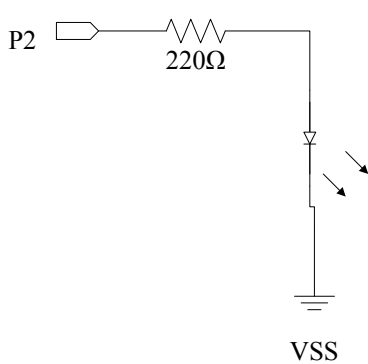
IR Emitter Left



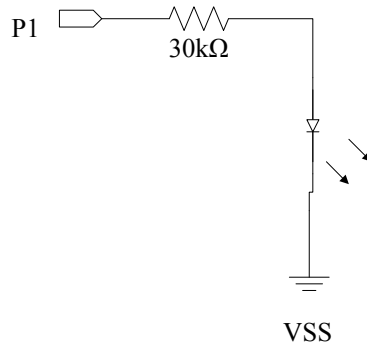
IR Detector Left



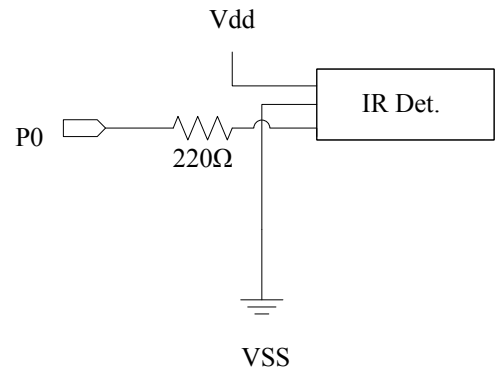
IR Emitter Left



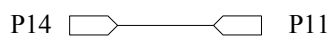
IR Emitter Right



IR Detector Right



Parallel Processing Nodes



Parallel Processing Nodes

