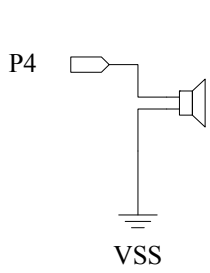
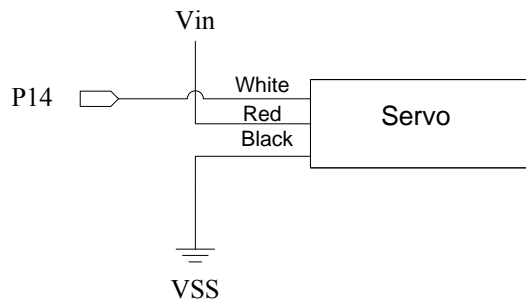


Boe-Bot 1 Top Board Schematics

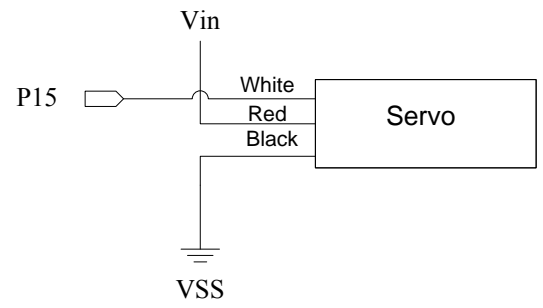
Piezospeaker



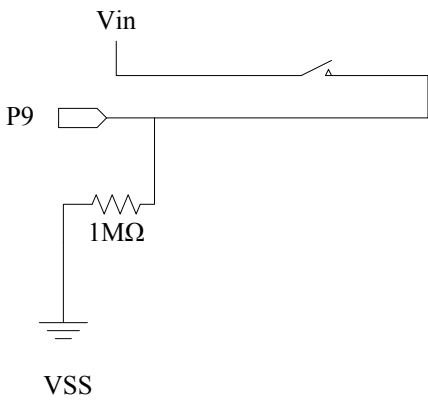
Gripper Rotator



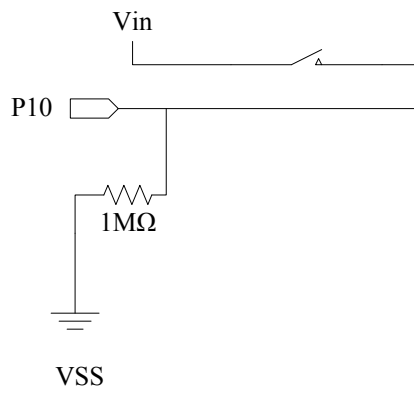
Gripper



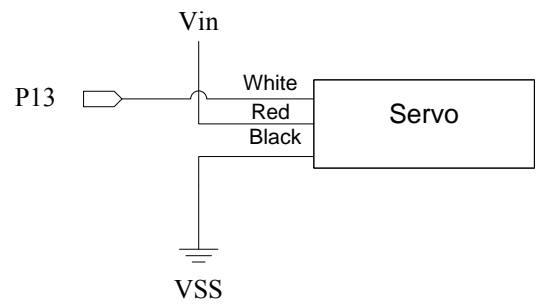
Bottom Micro Switch



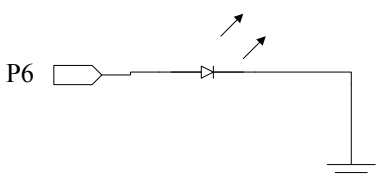
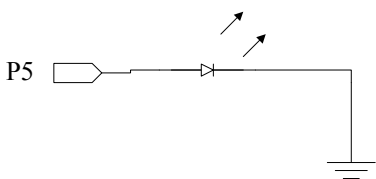
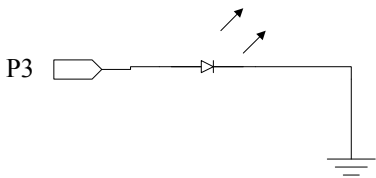
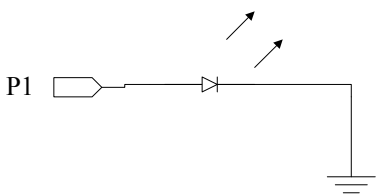
Top Micro Switch



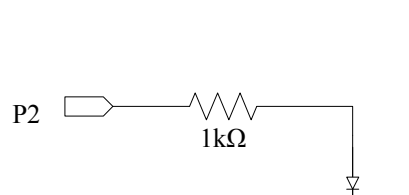
Tread Elevator



IR Emitter

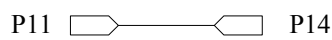


IR Emitter

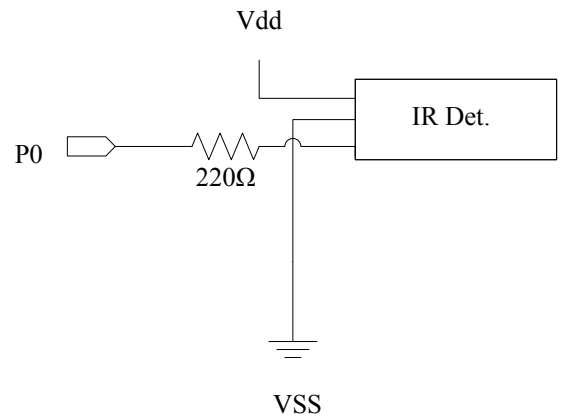


VSS

Parallel Processing Nodes



IR Detector



VSS

Parallel Processing Nodes

