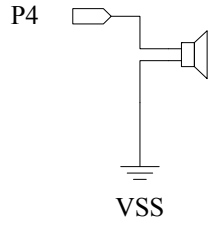
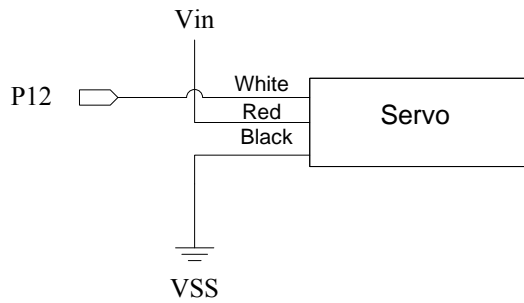


Boe-Bot 2 Bottom Board Schematics

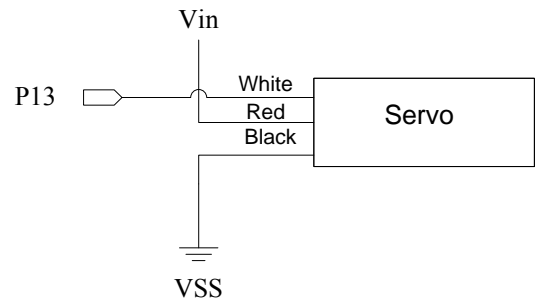
Piezospeaker



Right Wheel



Left Wheel



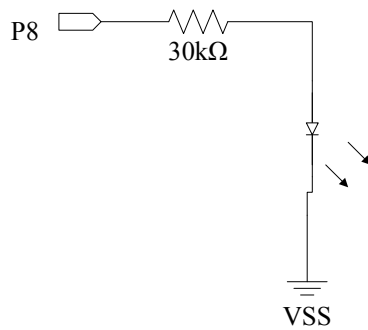
Parallel Processing Nodes



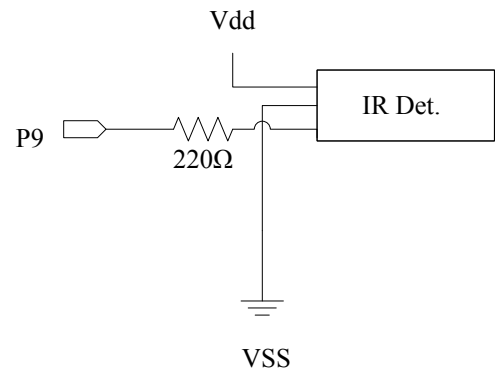
Parallel Processing Nodes



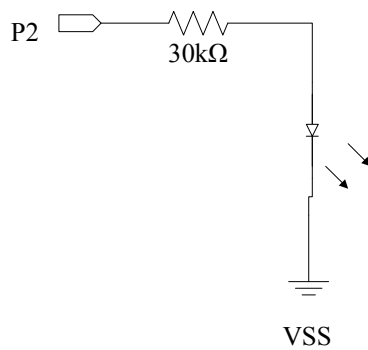
IR Emitter Left



IR Detector Left



IR Emitter Right



IR Detector Right

