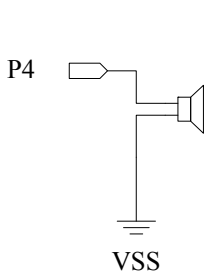
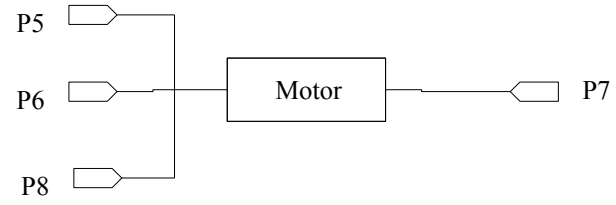
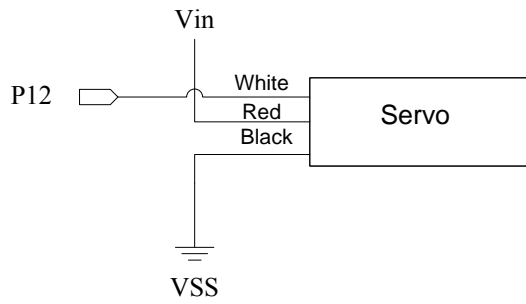


Boe-Bot 2 Top Board Schematics

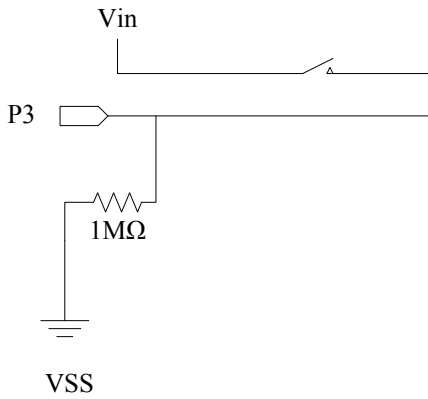
Piezospeaker



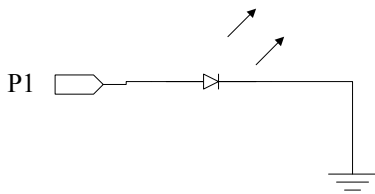
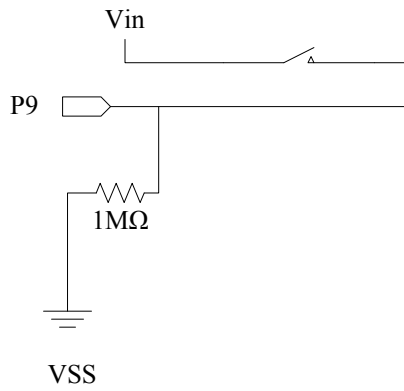
Gripper



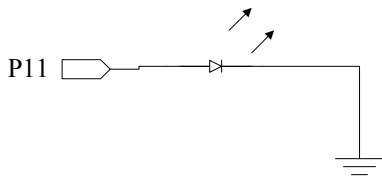
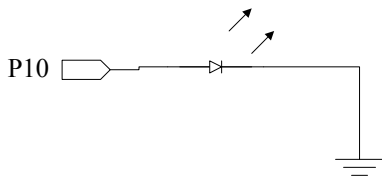
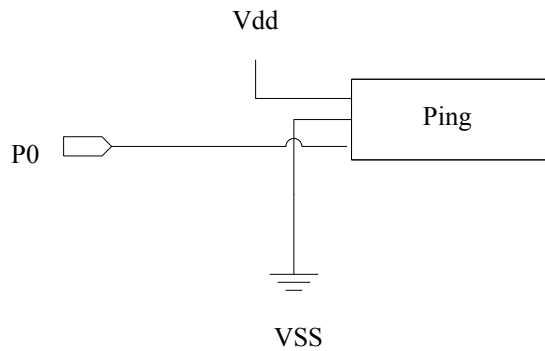
Bottom Micro Switch



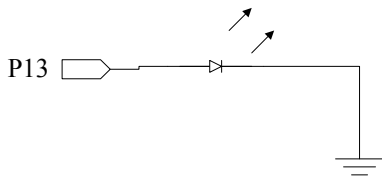
Top Micro Switch



Ping Sensor



Parallel Processing Nodes



Parallel Processing Nodes

